

PARTS LIST

KJHT750D

CONTENTS

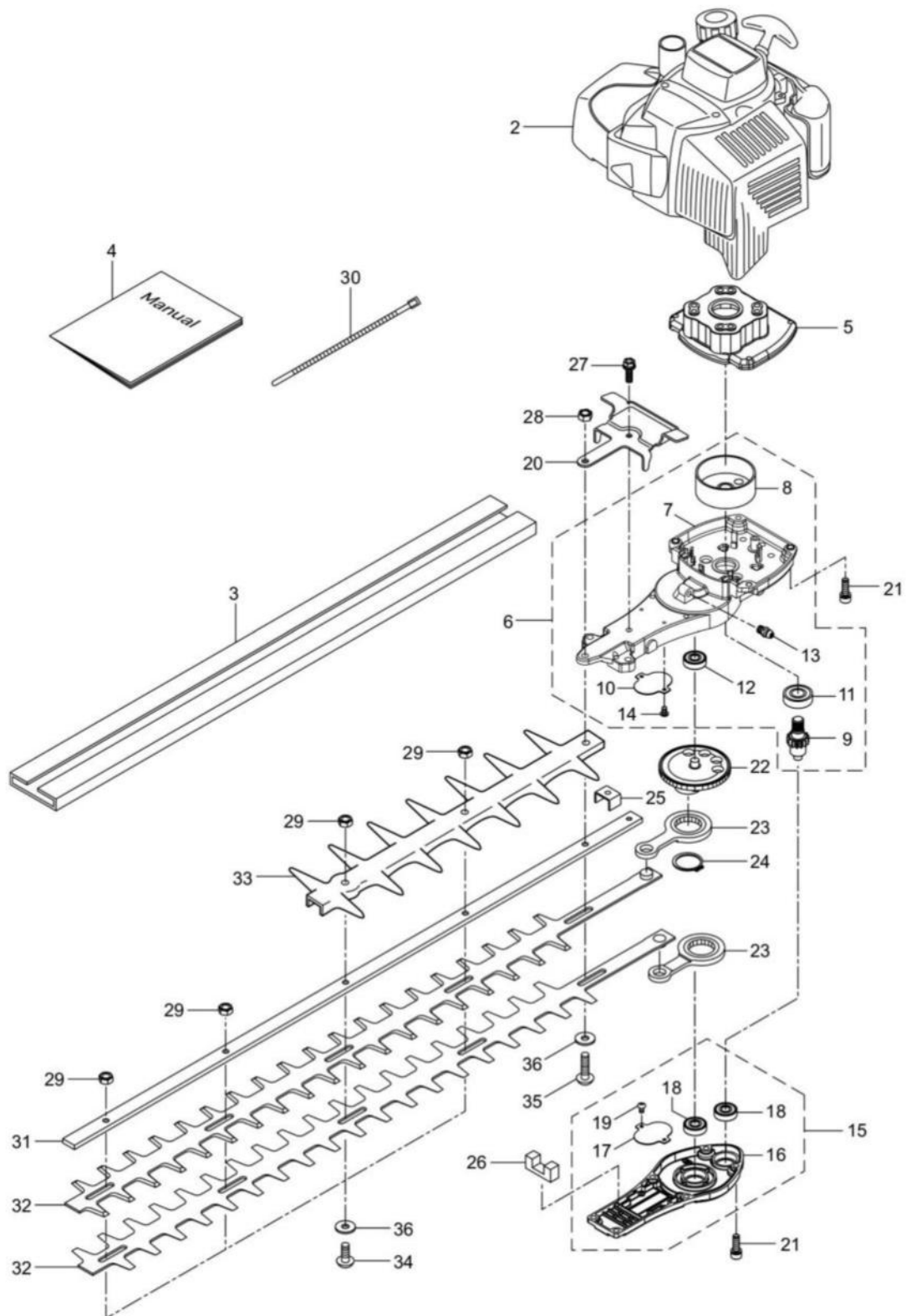
1. MAIN BODY	1 ~ 2
2. HANDLE	3 ~ 4
3. ENGINE	5 ~ 8
4. CARBURETOR, FUEL TANK	9 ~ 12

2015. 04.



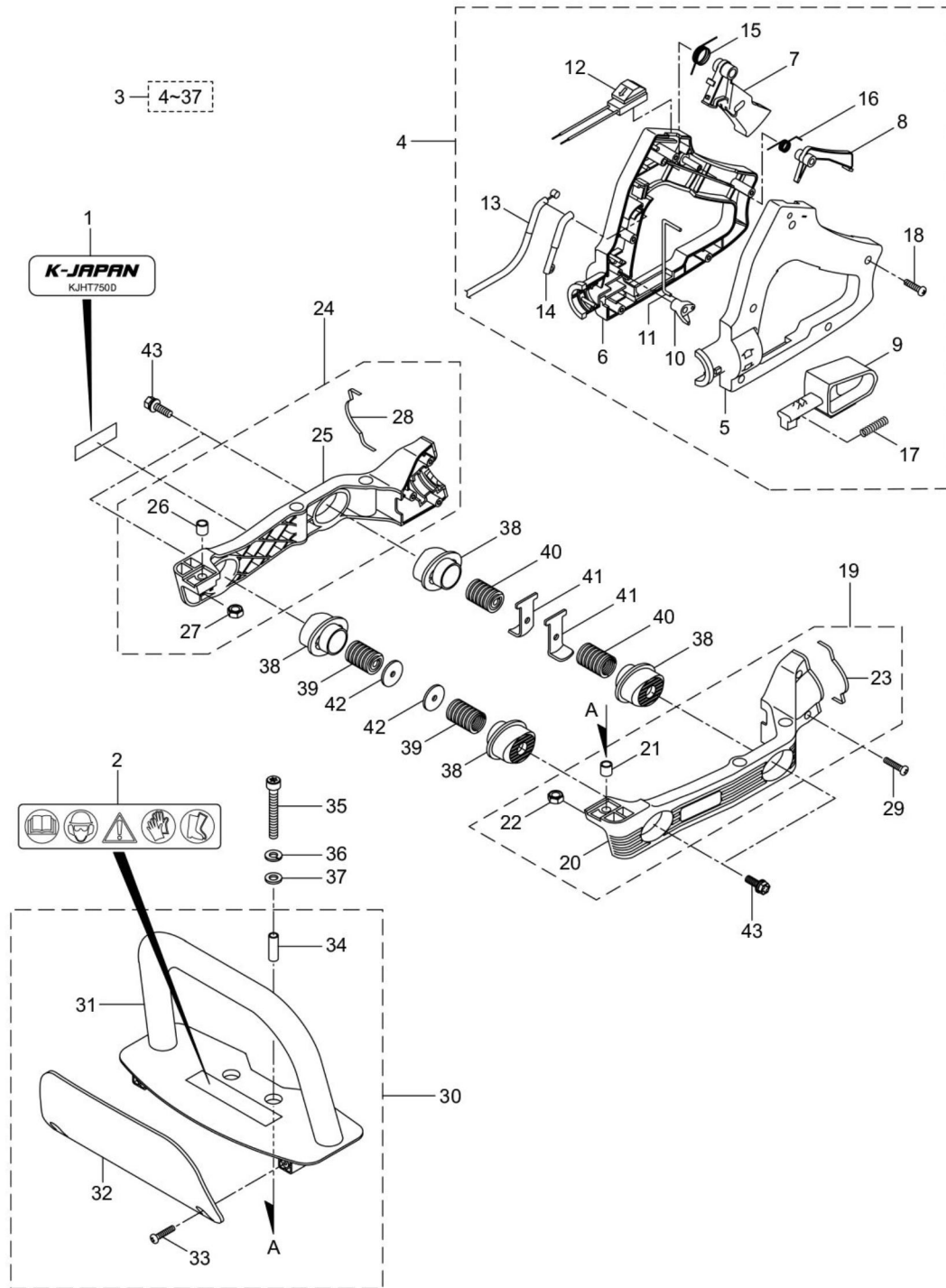
P/N 523759-2

1. KJHT750D
MAIN BODY



Status	Position	Parts Number	Parts Name	Unit Quantity	Lot Order Quantity	Remarks	Currency		Maker code
	1	362367	KJHT750D	1					
×	2	425489		1		TJ023V-KF92	JPY		R003-007600
×	3	425702		1			JPY		A028-002029
×	4	425488		1			JPY		R180-TE7F05
	5	425454	CRANK CASE	1			JPY		TE1-A041000
	6	425698	UPPER CRANK CASE	1		Incl.7-14	JPY		TE5-0013000
×	7	425699		1			JPY		TE5-A005000
	8	270021	CLUTCH DRUM	1			JPY		
	9	425457	PINION GEAR	1			JPY		TE1-A050000
×	10	425458		1			JPY		TE1-A045000
	11	580767	BEARING 6001 2RS	1		#6001 2RS	JPY		K354-060010
	12	638464	BEARING 608ZZ	1		#608Z	JPY		
	13	580766	GREASE NIPPLE	1		M6	JPY		
	14	580787	SCREW M3X5	2	10	M3x5	JPY		900-040
	15	425459	LOWER CRANKCASE	1		Incl.16-19	JPY		TE5-0002000
×	16	425460		1			JPY		TE5-A006000
×	17	425458		1			JPY		TE1-A045000
	18	638464	BEARING 608ZZ	2		#608Z	JPY		
	19	580787	SCREW M3X5	2	10	M3x5	JPY		900-040
	20	425700	STOPPER	1			JPY		TE1-A059000
×	21	425461		10		M5x16	JPY		K081-05016T
	22	425462	CRANK GEAR	1			JPY		TE1-A043000
	23	997282	ROD	2			JPY		
	24	580777	SNAP RING	1	5	#26	JPY		K283-026000
	25	270757	PLATE	1			JPY		
	26	425463	FELT	1			JPY		A286-112004
×	27	425701		1		M5x14	JPY		K073-050146
	28	580764	U-NUT	1	5	M6	JPY		
	29	580764	U-NUT	4	5	M6	JPY		
	30	425481		1		CV-100B	JPY		R035-001600
	31	425704	PLATE	1			JPY		TE1-A056000
	32	425705	BLADE	2			JPY		
	33	425662	BLADE GUARD	1			JPY		A287-110002
	34	631764	SCREW	4		L29	JPY		A040-002009
	35	407328	SCREW	1		L26	JPY		G040-005000
	36	991913	WASHER	5	10		JPY	10	008-250

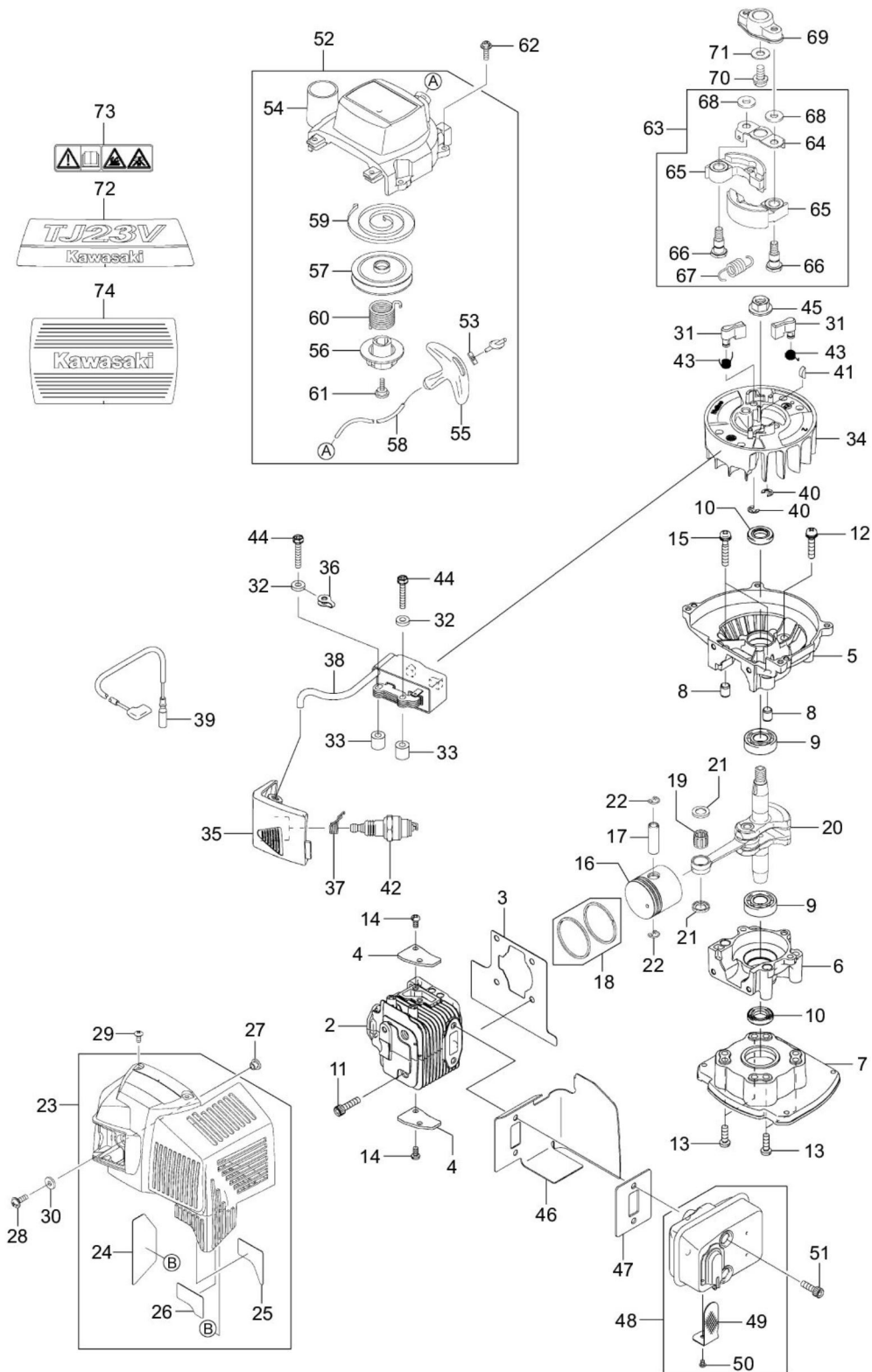
2. KJHT750D HANDLE



Status	Position	Parts Number	Parts Name	Unit Quantity	Lot Order Quantity	Remarks	Currency		Maker code
×	1	425703		1		KJHT750D	JPY		G051-005860
×	2	425487		1		WARNING	JPY		G052-004080
×	3	425663		1		Incl.4-37	JPY		TE2-5036000
	4	425664	REAR HANDLE	1		Incl.5-18	JPY		TE2-1051010
	5	425681	REAR HANDLE L	1			JPY		TE2-1015010
	6	425682	REAR HANDLE R	1			JPY		TE2-1015020
	7	425683	THROTTLE LEVER	1			JPY		TE2-1010030
	8	425684	SAFETY LEVER	1			JPY		TE2-1010040
	9	425685	LOCK LEVER	1			JPY		TE2-1007050
	10	425686	STOPPER	1			JPY		TE2-1013020
	11	425687	ROD	1			JPY		TE2-1007060
	12	425688	SWITCH	1			JPY		G014-222004
	13	425689	THROTTLE CABLE	1			JPY		G010-002160
	14	425690	SPACER	1			JPY		TE2-1013010
	15	425691	SPRING	1			JPY		G003-000030
	16	425692	SCREW	1			JPY		G003-000040
	17	425693	SPRING	1			JPY		A002-050004
	18	425667		5		4.0x16	JPY		K110-401602
	19	425665	FRAME L	1		Incl.20-23	JPY		TE2-5021000
×	20	425694		1			JPY		TE2-5021010
×	21	425695		1		6x8.0	JPY		K232-060800
	22	580764	U-NUT	1	5	M6	JPY		
×	23	425696		1		LINE	JPY		G052-000990
	24	425666	FRAME R	1		Incl.25-28	JPY		TE2-5022000
×	25	425697		1			JPY		TE2-5022010
×	26	425695		1		6x8.0	JPY		K232-060800
	27	580764	U-NUT	1	5	M6	JPY		
×	28	425696		1		LINE	JPY		G052-000990
	29	425667		3		4.0x16	JPY		K110-401602
	30	425668	FRONT HANDLE	1		Incl.31-34	JPY		TE2-3006000
×	31	425669		1			JPY		TE2-3006010
×	32	425670		1			JPY		TE2-3003020

Status	Position	Parts Number	Parts Name	Unit Quantity	Lot Order Quantity	Remarks	Currency		Maker code
×	33	425671		2		4.0x16	JPY		K113-401602
×	34	425672		2		6x25.0	JPY		K232-062500
×	35	425673		2		M6x45	JPY		K077-06045K
	36	631749	SPRING WASHER	2	10	M6	JPY		K210-060000
×	37	425674		2		6.0x1.6	JPY		K207-060163
	38	425675	DAMPER	4			JPY		TE2-5013000
	39	425676	SPRING	2			JPY		G002-000230
	40	425677	SPRING	2			JPY		G002-000240
×	41	425678		2			JPY		TE1-A058000
×	42	425679		2			JPY		G018-000160
×	43	425680		4		M5x16	JPY		K055-05016W

3. KJHT750D ENGINE

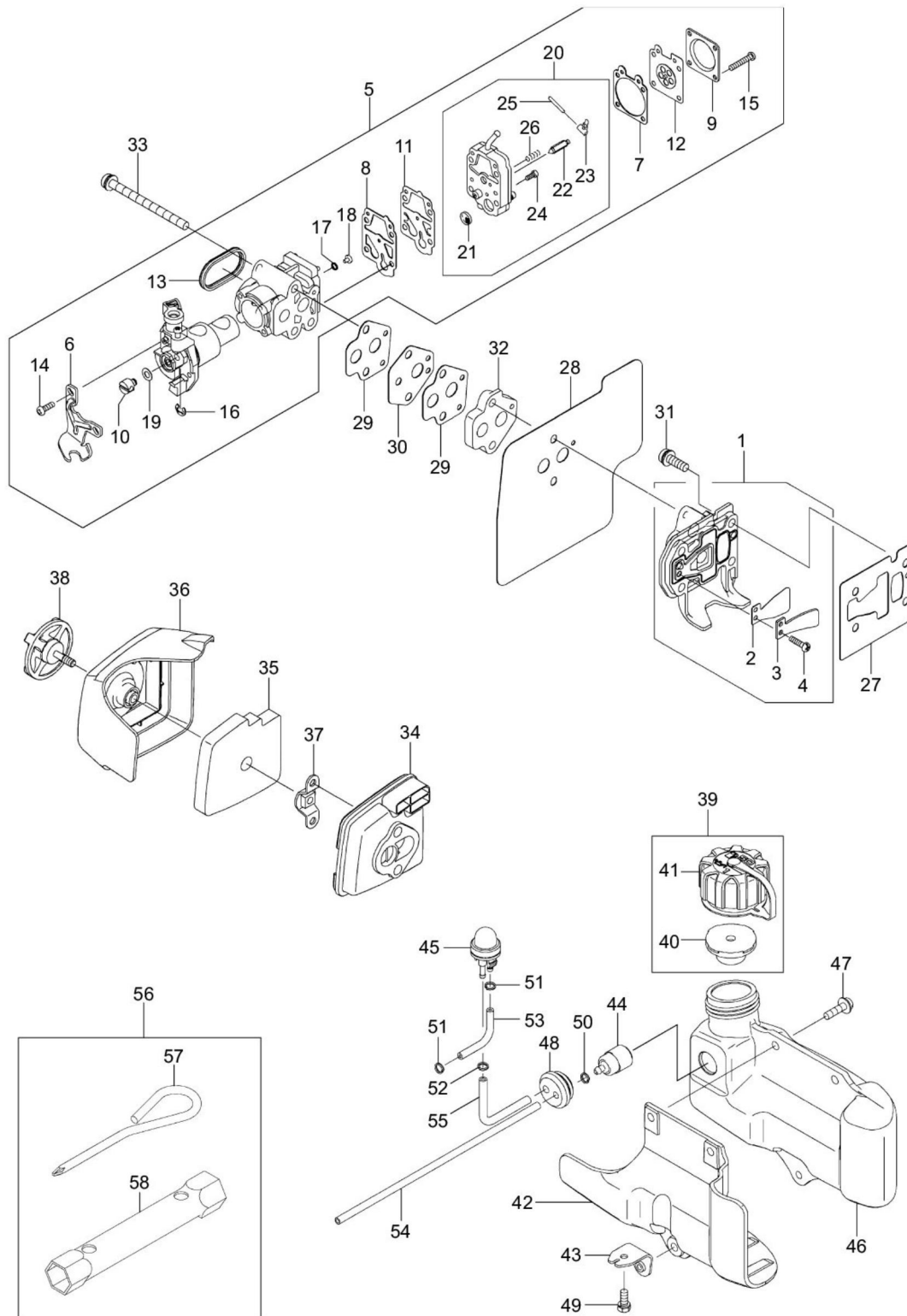


Status	Position	Parts Number	Parts Name	Unit Quantity	Lot Order Quantity	Remarks	Currency		Maker code
×	1	425489		1		TJ023V-KF92	JPY		R003-007600
×	2	425490		1			JPY		11005-0646
×	3	425491		1			JPY		11061-0771
×	4	425492		2			JPY		13272-1188
×	5	425493		1			JPY		14080-0628
×	6	425494		1			JPY		14080-0629
×	7	425495		1			JPY		41086-0048
	8	419524	PIN	2			JPY		92043-0755
×	9	416108	BEARING	2		#6001C3	JPY		92045-2278
	10	416109	OIL SEAL	2		12x22x4.5	JPY		92049-2269
	11	416110	BOLT	4		5x20	JPY		92153-2136
×	12	425496		1		5x25	JPY		92172-0758
×	13	425497		4		5x16	JPY		92172-0763
	14	416111	SCREW	4		4x8	JPY		92172-2103
	15	416112	SCREW	2		5x30	JPY		92172-2104
×	16	425498		1			JPY		13001-0724
	17	416114	PISTON PIN	1			JPY		13002-2100
×	18	425499		1			JPY		13008-6072
×	19	425500		1			JPY		13033-0558
×	20	425501		1			JPY		49119-0578
×	21	416118	SPACER	2			JPY		92026-2356
×	22	416119	SNAP RING	2			JPY		92033-2198
×	23	425509		1		Incl.24-26	JPY		49089-0755
×	24	425506		1			JPY		39156-0759
×	25	425507		1			JPY		39156-0760
×	26	425508		1			JPY		39156-0761
×	27	425505		1			JPY		16073-0725
	28	630058	SCREW	1	10	5x16	JPY		92009-2394
×	29	416124	SCREW	2		4x10	JPY		92172-2060
	30	425510	WASHER	1		5.5x13.8x2.0	JPY		92200-2156
×	31	425511		2			JPY		13165-0563
×	32	425512		2			JPY		16073-0780

Status	Position	Parts Number	Parts Name	Unit Quantity	Lot Order Quantity	Remarks	Currency	Price	Maker code
×	33	416127	INSULATOR	2			JPY		16073-2239
×	34	425513		1			JPY		21050-0708
×	35	425514		1			JPY		21130-0558
×	36	425515		1			JPY		21169-0037
	37	416130	TERMINAL	1			JPY		21169-2078
×	38	425516		1			JPY		21171-0031
×	39	425517		1			JPY		26011-0833
×	40	425518		2			JPY		92033-0716
	41	416133	KEY	1			JPY		92038-2106
	42	419550	SPARK PLUG	1			JPY		
×	43	425519		2			JPY		92145-0867
×	44	425276	BOLT 4 X 25	2		4x25	JPY		92154-2041
	45	423272	NUT M8	1		8mm	JPY		92210-2101
×	46	425531		1			JPY		11061-0772
×	47	425537		1			JPY		11061-0867
×	48	425550		1		Incl.49,50	JPY		49069-0723
×	49	416157	SPARK ARRESTOR	1			JPY		18077-2140
	50	416161	SCREW	1			JPY		92172-2112
	51	416160	BOLT(5X16)	2		5x16	JPY		92153-2137
×	52	425614		1		Incl.53-61	JPY		49088-0722
	53	944502	WASHER	1			JPY		13169-2386
×	54	425610		1			JPY		32099-0749
	55	416170	CRIP	1			JPY		46075-2161
×	56	425613		1			JPY		49060-0017
×	57	425615		1			JPY		59101-0013
×	58	423292	ROPE	1		3x850	JPY		59106-0556
	59	423293	RECOIL SPRING	1			JPY		92145-0850
×	60	425628	SPRING	1			JPY		92145-2174
	61	416177	SCREW	1			JPY		92172-2065
	62	624845	SCREW	4	5	M4x16	JPY		92009-2386
×	63	425630		1		Incl.64-68	JPY		13081-0563
×	64	425631		1			JPY		13270-2051

Status	Position	Parts Number	Parts Name	Unit Quantity	Lot Order Quantity	Remarks	Currency		Maker code
	65	597953	CLUTCH SHOE	2			JPY		49049-2096
	66	584751	CLUTCH PIN	2			JPY		92043-2075
	67	572810	SPRING	1			JPY		92144-2086
×	68	620229	WASHER	2			JPY		92200-2072
×	69	425645		1			JPY		49058-0574
×	70	425646		1		6x12	JPY		92172-0762
×	71	425647		1		6.5x14.5x1	JPY		92200-0762
×	72	425648		1		PRODUCT	JPY		56039-0766
×	73	423295	LABEL	1		WARNING	JPY		56071-2010
×	74	425649		1		BRAND	JPY		56080-0789

4. KJHT750D
CARBURETOR, FUEL TANK



Status	Position	Parts Number	Parts Name	Unit Quantity	Lot Order Quantity	Remarks	Currency		Maker code
×	1	425522		1		Incl.2-4	JPY		12021-0707
	2	423277	LEAD VALVE	1			JPY		12022-2064
	3	423279	STOPPER	1			JPY		32085-2107
	4	419564	SCREW	1		3x12	JPY		92172-2123
×	5	425524		1		Incl.6-26	JPY		15004-0747
	6	649338	BRACKET	1			JPY		11053-2066
	7	649339	GASKET	1			JPY		11060-2456
	8	634350	GASKET	1			JPY		11061-2054
	9	649343	COVER	1			JPY		14025-2157
	10	598415	ARM	1			JPY		21083-2073
	11	577185	DIAPHRAGM	1			JPY		43028-2067
	12	416148	DIAPHRAGM	1			JPY		43028-2096
	13	416149	PACKING	1			JPY		43049-2062
	14	577179	SCREW	2			JPY		92009-2277
	15	649348	SCREW	4			JPY		92009-2438
	16	577175	SNAP RING	1			JPY		92033-2078
	17	577182	O-RING	1			JPY		92055-2147
×	18	425527		1		#33.5	JPY		92063-2368
	19	624532	WASHER	1			JPY		92200-2074
×	20	425525		1		Incl.21-26	JPY		16160-2143
	21	624430	FILTER	1			JPY		14043-2051
	22	624431	FLOAT	1			JPY		16030-2078
	23	624429	LEVER	1			JPY		16055-2051
	24	624432	SCREW	1			JPY		92009-2336
	25	624433	PIN	1			JPY		92043-2094
	26	624434	SPRING	1			JPY		92144-2308
×	27	425520		1			JPY		11061-0773
×	28	425521		1			JPY		11061-0774
	29	423275	GASKET	2			JPY		11061-2248
×	30	425523		1			JPY		13272-1410
	31	572912	SCREW	4	5		JPY		92009-2249
	32	425526	SPACER	1			JPY		92026-2367

Status	Position	Parts Number	Parts Name	Unit Quantity	Lot Order Quantity	Remarks	Currency	Maker code
×	33	425528		2		5x65	JPY	92172-0830
×	34	425529		1			JPY	11011-2396
×	35	425530		1			JPY	11013-2249
×	36	425538		1			JPY	11065-0740
×	37	425539		1			JPY	18020-2097
	38	423287	BOLT	1			JPY	92154-2053
	39	425443	TANK CAP ASSY	1		Incl.40,41	JPY	99996-6107
	40	425442	BREATHER	1			JPY	14069-0017
	41	649364	TANK CAP ASSY	1			JPY	51048-2083
×	42	425564		1			JPY	14092-1066
×	43	425565		1			JPY	32052-0715
	44	597947	FUEL FILTER	1			JPY	49019-2111
	45	415374	PRIMING PART	1			JPY	49043-2074
×	46	425572		1			JPY	51001-0723
×	47	624537	SCREW	3		5x20	JPY	92009-2383
×	48	425329	GROMMET	1			JPY	92071-2169
×	49	425575		1		5x12	JPY	92154-0874
×	50	425330	CLUMP	1			JPY	92171-2086
	51	419580	CLAMP	2	5		JPY	92173-2018
×	52	425331	CLUMP	1			JPY	92173-2022
×	53	425597		1		2.3x5x40	JPY	92192-1319
×	54	425332	TUBE 3X5X200	1		3x5x200	JPY	92192-2177
×	55	425605		1		3x5.5x80	JPY	92192-2178
	56	631428		1		Incl.57,58	JPY	56007-2051
	57	631429		1			JPY	92107-2057
	58	631430		1		19x21	JPY	92110-2051